

# TDL 60 IP65



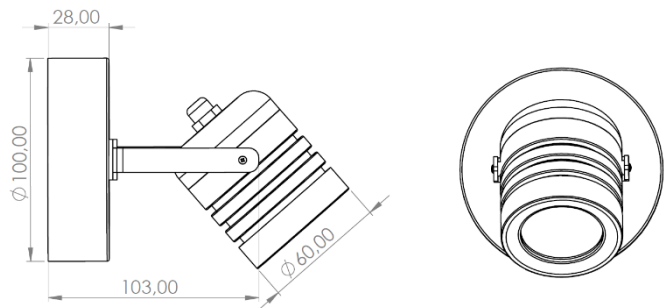
PRODUCT CODE # 060ACD927G2D01

## OUTDOOR DOWNLIGHT UNIT



### LIGHT SPECIFICATION

- LED module: Philips LED COB
- Color temp: 2700K
- CRI: > 90
- Lumen output: 560lm
- Luminaire power: 6W
- Trim color: RAL9016 (all NCS / RAL- colors)
- IP-Class IP65
- Lumen maintenance:
  - Tc life 75°C L80B10 – 50 000h
  - Tc nom 85°C L70B10 – 50 000h



### ADDITIONAL SPECIFICATION

Driver	Xitanium 6W
Dimming	Phase-Cut
Wall/ceiling conn.	
Working temp. range	-20°C ... +45°C
Body material	Aluminium, Powder coated



TVV Marine Lighting Oy,  
Jousitie 2C, 20760 Piispanristi, Finland  
mobile : +358 440501007 | [info@tvvmarinelighting.com](mailto:info@tvvmarinelighting.com) | [www.tvvmarinelighting.com](http://www.tvvmarinelighting.com)