

# TDL57

PRODUCT CODE # 057FIE930A1A05

## RECESSED LED DOWNLIGHT

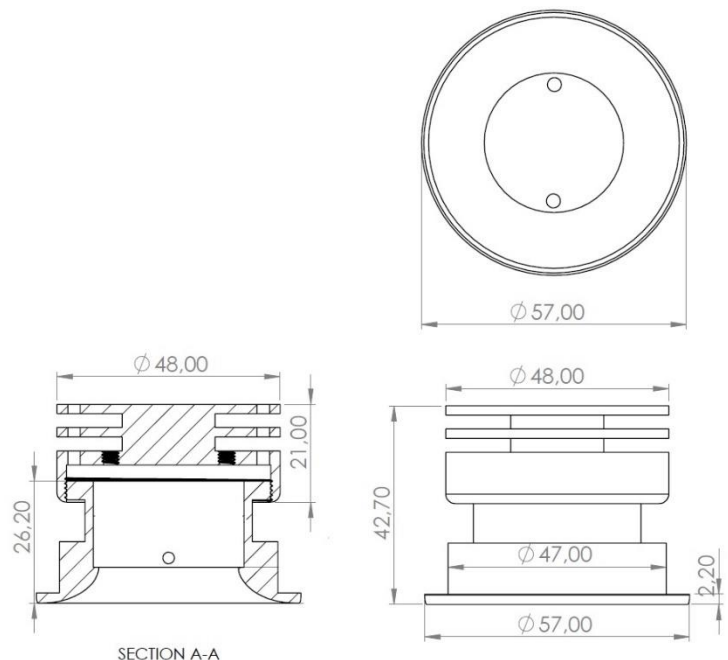


### LIGHT SPECIFICATION

LED module	Citizen CLU701-0304C4-303H5K2	
Color temp	3000K	
CRI	>90	
Light beam angle	38°	
Reflector	C11862_MINNIE-W	
Lumen output	500lm	
Luminaire power	4.8W	
Lumen maintenance	Tc nom 55°C	L80B10 – 60 000h
	Tc life 90°C	L70B20 – 60 000h
Working temp. range	-20°C ... +45°C	
Serial connected	3-5 lights per driver	
Voltage per light	9.4VDC	
Connectors	Ensto NCC21SL.G & NCC22SL.G	

### ADDITIONAL SPECIFICATION

Power supply	220-240V 50/60Hz External driver
Driver	Philips Xitanium 40W R
Dimming	DALI
Connector	Ensto NCC51S.G
Adjustability	Fixed
Trim color	RAL9016
Body material	Steel machined
Fire class	B-0
Dimensions (Øxh)	Ø57mm x 48mm
Fixing	Springs
Cutout	Ø51mm



TVV Marine Lighting Oy,  
Jousitie 2C, 20760 Piispanristi, Finland

mobile : +358 440501007 | [info@tvvmarinelighting.com](mailto:info@tvvmarinelighting.com) | [www.tvvmarinelighting.com](http://www.tvvmarinelighting.com)

