

TDL155 AISI316



PRODUCT CODE # 155FXH840K1J07

RECESSED LED DOWNLIGHT

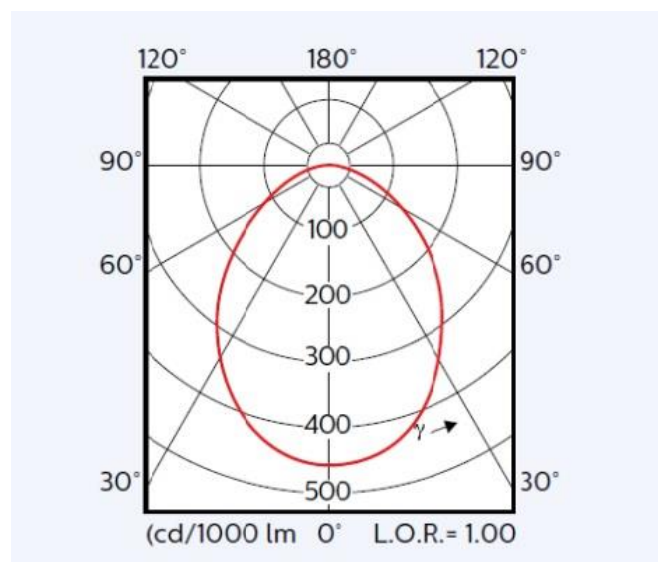
LIGHT SPECIFICATION



LED module	Philips DLM ES 2000	
Color temp	4000K	
CRI	>80	
Light beam angle	90°	
Lens	5mm Frosted	
Lumen output	1500lm	
Luminaire power	18W	
Lumen maintenance	Tc nom 70°C	L70B10 – 50 000h
	Tc life 75°C	L70B50 – 50 000h
Ambient temperature	-20°C ... +40°C	
Power factor	> 0.9	
No visible flicker	less than 4%	

ADDITIONAL SPECIFICATION

Power supply	220-240V 50/60Hz
Driver	Integrated
Dimming	On-Off
Connector	Wieland RST16i2/3 or Wieland RST20i3
IP class	IP66
Adjustability	Fixed
Trim color	Brushed Aisi316
Body material	Aisi 316
Fire class	B0
Dimensions (Øxh)	Ø155mm x ab.95mm (Height depends on connector size)
Fixing	Screws
Cutout	Ø130mm

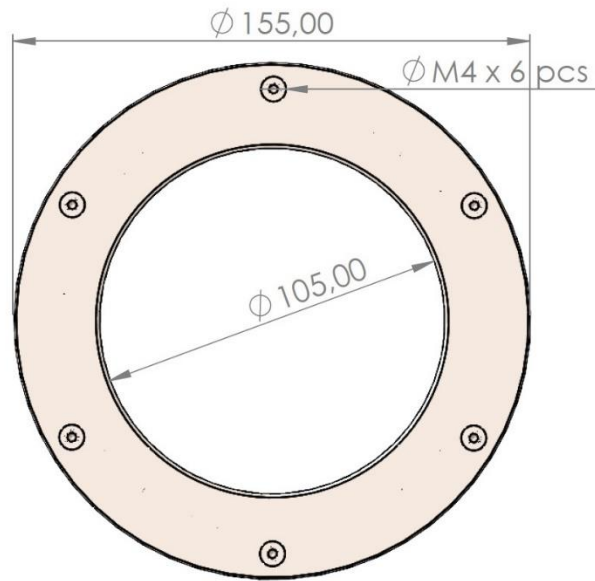
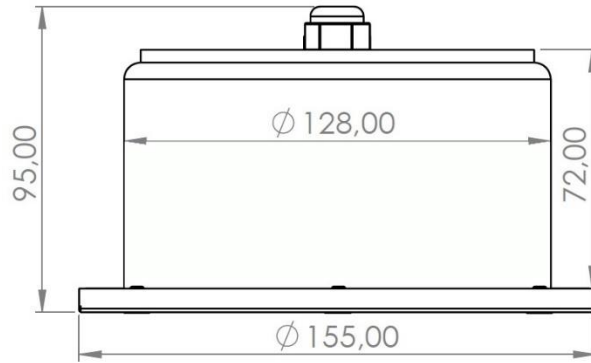


TVV Marine Lighting Oy,

Jousitie 2C, 20760 Piispanristi, Finland

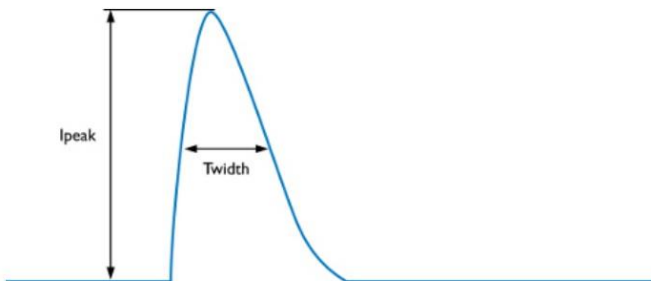
mobile : +358 440501007 | info@tvvmarinelighting.com | www.tvvmarinelighting.com





Inrush current

Specification item	Value	Unit	Condition
Inrush current I_{peak}	3.01	A	Input voltage 230V
Inrush current T_{width}	32.63	μs	Input voltage 230V, measured at 50% I_{peak}
Drivers / MCB 16A type B	130	pcs	



MCB	Rating	Relative number of LED modules
B	10A	63%
B	13A	81%
B	16A	100% (stated in datasheet)
B	20A	125%
B	25A	156%
C	10A	104%
C	13A	135%
C	16A	170%
C	20A	208%
C	25A	260%

TVV Marine Lighting Oy,
 Jousitie 2C, 20760 Piispanristi, Finland

mobile : +358 440501007 | info@tvvmarinelighting.com | www.tvvmarinelighting.com

