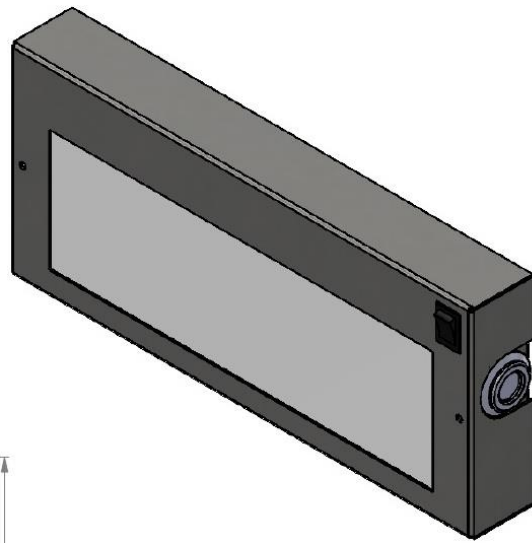


GENERAL LED LIGHT



PRODUCT CODE # HT-9221E34S

MODULE LIGHT UNIT

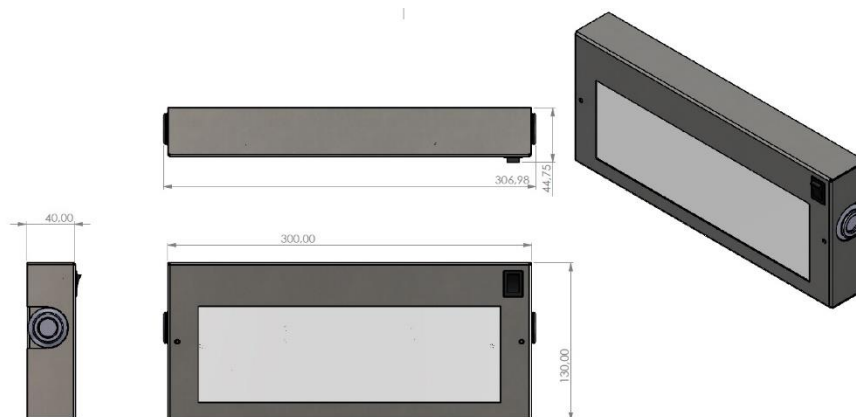


LIGHT SPECIFICATION

- LED module: Philips LED strip 1ft 830 FC LV5
- Color temp: 3000K
- CRI: > 80
- Lumen output: **700lm**
- Luminaire power: 9W
- Beam angle: 60°
- Tilt: Fixed
- Trim color: RAL9016 (all NCS / RAL- colors)
- Dimensions (LxWxD): 300mm x 130mm x 40mm
- IP class: IP20
- Lumen maintenance:
 - Tc nom 55°C L80B10 – 100 000h
 - Tc life 90°C L80B10 – 55 000h

ADDITIONAL SPECIFICATION

- Power supply: 220-240V 50/60Hz
- Dimming: On-Off
- Connector: BJB Terminal block 3-pole
- Working temp. range: -20 °C ... + 45°C
- Weight: 1.5kg (total)
- Fixing method: Fixing with screws
- Body material: Steel housing



TVV Marine Lighting Oy,
Jousitie 2C, 20760 Piispanristi, Finland
mobile : +358 440501007 | info@tvvmarinelighting.com | www.tvvmarinelighting.com